

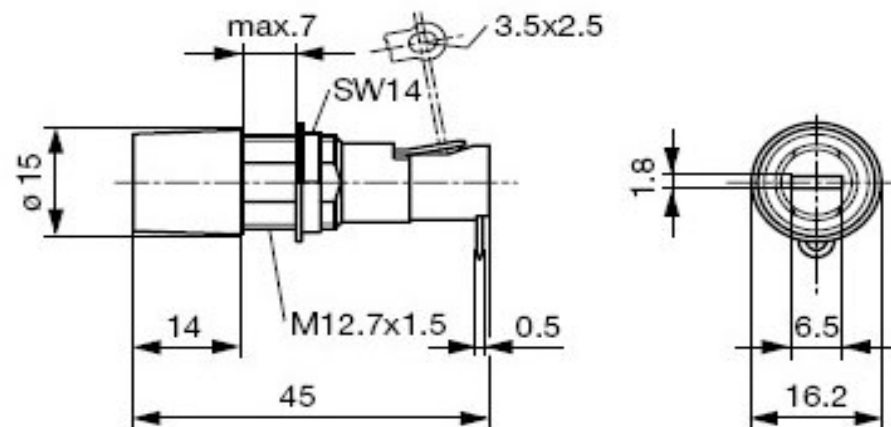
# EDCON-COMPONENTS



## Technical Discription

Type; Bajonett-Type  
 Insulation Resistance: 10m Ω Min 500VDC  
 Contact Resistance: 5mΩ @ 1A DC  
 Dielectric Strength: AC 3000V for min. 60Sec.  
 Rated Current: 20A  
 Rated Voltage: 250VAC  
 Fuse Type/Size: 5x20mm / 6,3x32mm  
 Protection Degree: IP40

## Drawing (mm)



Approvals



Knop Type 1

Knop Type 2

**Front Panel Fuse Holder**

Part No.: **R54112**

DRW:	Jason	CHKD	Wilson	MATL:	Wilson	TOLERANCE	Mason	DATE	24.05.2014	Customer:
APPD:	Schumi			FINISH	Jamy		Sheet No.	1 from 2		

# EDCON-COMPONENTS



## Ordering Informations

Serie	Spezial Function	Knob Type	ROHS	Packing						
-------	------------------	-----------	------	---------	--	--	--	--	--	--

<b>R54112</b>	<b>A</b>	<b>1</b>	<b>R</b>	<b>BU</b>						
---------------	----------	----------	----------	-----------	--	--	--	--	--	--

<b>A=</b> 5x20mm Fuse	1= Knob Type 1	<b>R=</b> ROHS Conform	<b>BU=</b> Bulk-Ware
<b>B=</b> 6,3x32mm Fuse	2= Knob Type 2		

**Front Panel Fuse Holder**

Part No.: **R54112**

DRW:	Jason	CHKD	Wilson	MATL:	Wilson	TOLERANCE	Mason	DATE	24.05.2014
APPD:	Schumi			FINISH	Jamy		Sheet No.	2 from 2	

Customer: